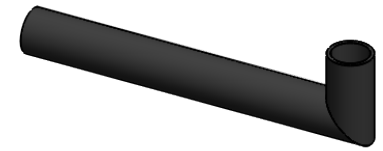


2

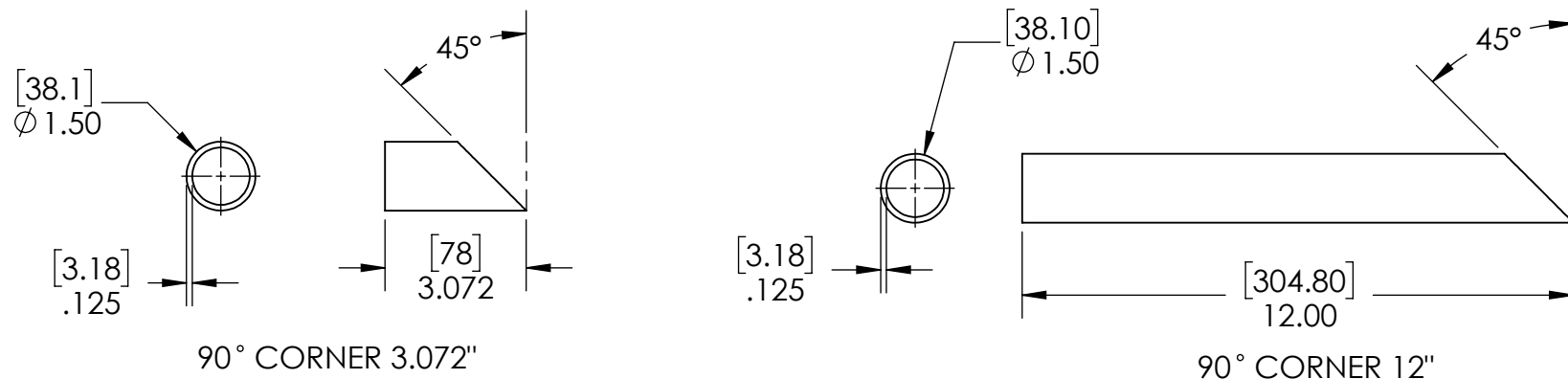
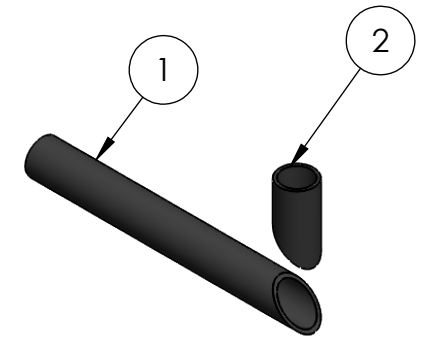
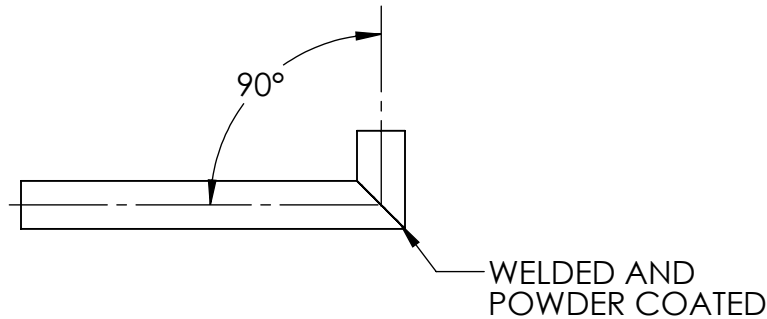
1

SNO.	PART NUMBER	DESCRIPTION	QTY.
1	016757_90°_CORNER	QUICK CONNECT 90° CORNER FOR Ø 1 1/2 TUBING	1
2	90°_CORNER_3_072	QUICK CONNECT 90° CORNER FOR Ø 1 1/2 TUBING	1



B

B



A

A



PROPRIETARY AND CONFIDENTIAL

THE INFORMATION CONTAINED IN THIS DRAWING IS THE SOLE PROPERTY OF STAINLESS CABLE AND RAILING®. ANY REPRODUCTION IN PART OR AS A WHOLE WITHOUT THE WRITTEN PERMISSION OF STAINLESS CABLE AND RAILING® IS PROHIBITED.

NOTES: UNLESS OTHERWISE SPECIFIED

- DIMENSIONS SHOWN - INCHES [MM].
- MACHINED SURFACES TO BE 63µIN MAX.
- PART TO BE FREE OF BURRS AND SHARP EDGES.
- ALL MATERIAL TO BE CLEAN, DEGREASED AND FREE OF ALL IMPURITIES.
- ANY CHANGE MUST BE AUTHORIZED BY AN SC&R ENGINEER.

DIMENSIONS ARE IN INCHES  
 FRACTIONAL ±  
 ANGULAR: MACH ±  
 TWO PLACE DECIMAL ±  
 THREE PLACE DECIMAL ±

MATERIAL

FINISH

NAME	DATE
SCR	04/25/20

DRAWN	ENG APPR.	MFG APPR.
SCR		

COMMENTS:

TITLE:

**LINK WALL RETURN**

SIZE	DWG. NO.	REV
<b>A</b>	<b>LINK_WALL_RETURN</b>	<b>01</b>

SCALE: 1:6	WEIGHT:	SHEET 1 OF 1
------------	---------	--------------

2

1