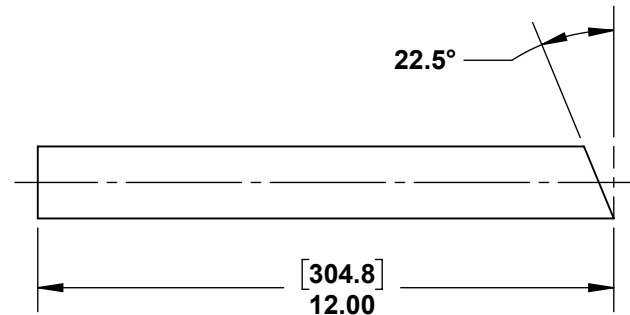
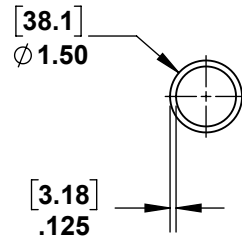
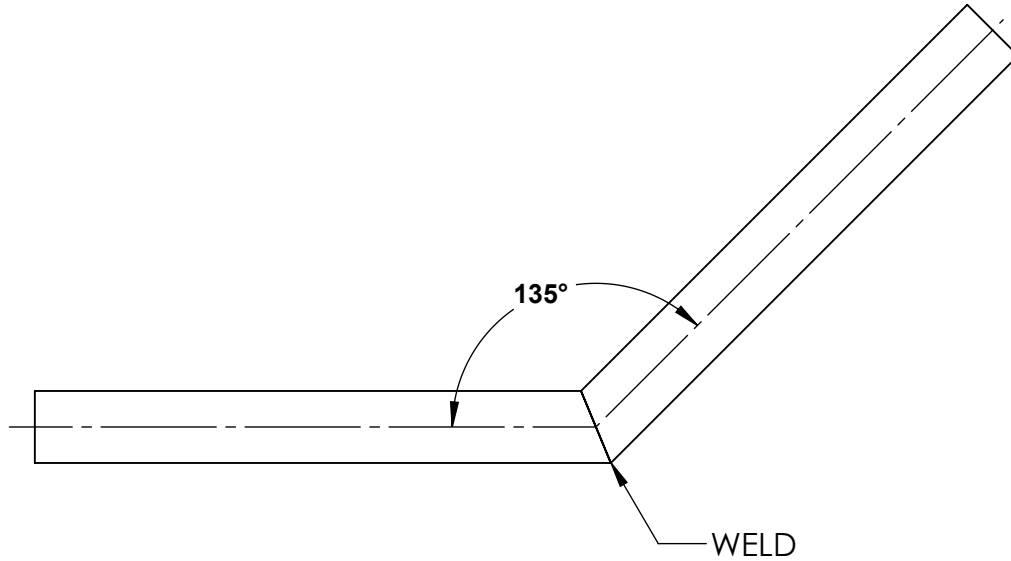
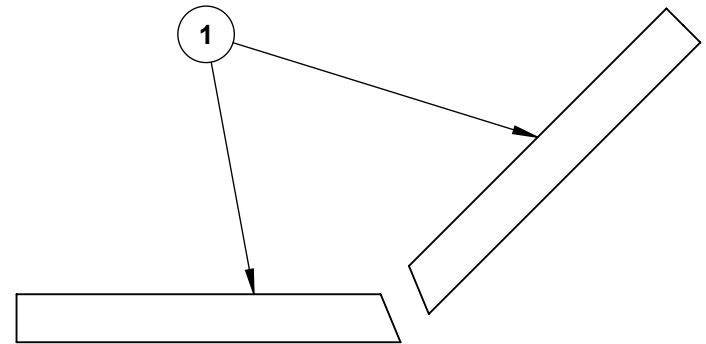
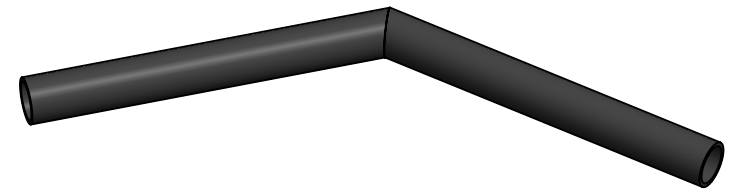


2

1

S NO.	PART NUMBER	DESCRIPTION	QTY.
1	016740_135°_CORNER	LINK HANDRAIL 135° CORNER FOR Ø 1 1/2 TUBING	2



B

B

A

A



PROPRIETARY AND CONFIDENTIAL

THE INFORMATION CONTAINED IN THIS DRAWING IS THE SOLE PROPERTY OF STAINLESS CABLE AND RAILING®. ANY REPRODUCTION IN PART OR AS A WHOLE WITHOUT THE WRITTEN PERMISSION OF STAINLESS CABLE AND RAILING® IS PROHIBITED.

NOTES: UNLESS OTHERWISE SPECIFIED

- DIMENSIONS SHOWN - INCHES [MM].
- MACHINED SURFACES TO BE 63uIN MAX.
- PART TO BE FREE OF BURRS AND SHARP EDGES.
- ALL MATERIAL TO BE CLEAN, DEGREASED AND FREE OF ALL IMPURITIES.
- ANY CHANGE MUST BE AUTHORIZED BY AN SC&R ENGINEER.

DIMENSIONS ARE IN INCHES
 FRACTIONAL ±
 ANGULAR: MACH ±
 TWO PLACE DECIMAL ±
 THREE PLACE DECIMAL ±

MATERIAL

FINISH

DO NOT SCALE DRAWING

	NAME	DATE
DRAWN	SCR	10/04/19
ENG APPR.		
MFG APPR.		

COMMENTS:

TITLE:

**LINK HANDRAIL
135° CORNER**

SIZE	DWG. NO.	REV
A	016740	01

SCALE: 1:4	WEIGHT:	SHEET 1 OF 1
------------	---------	--------------

2

1